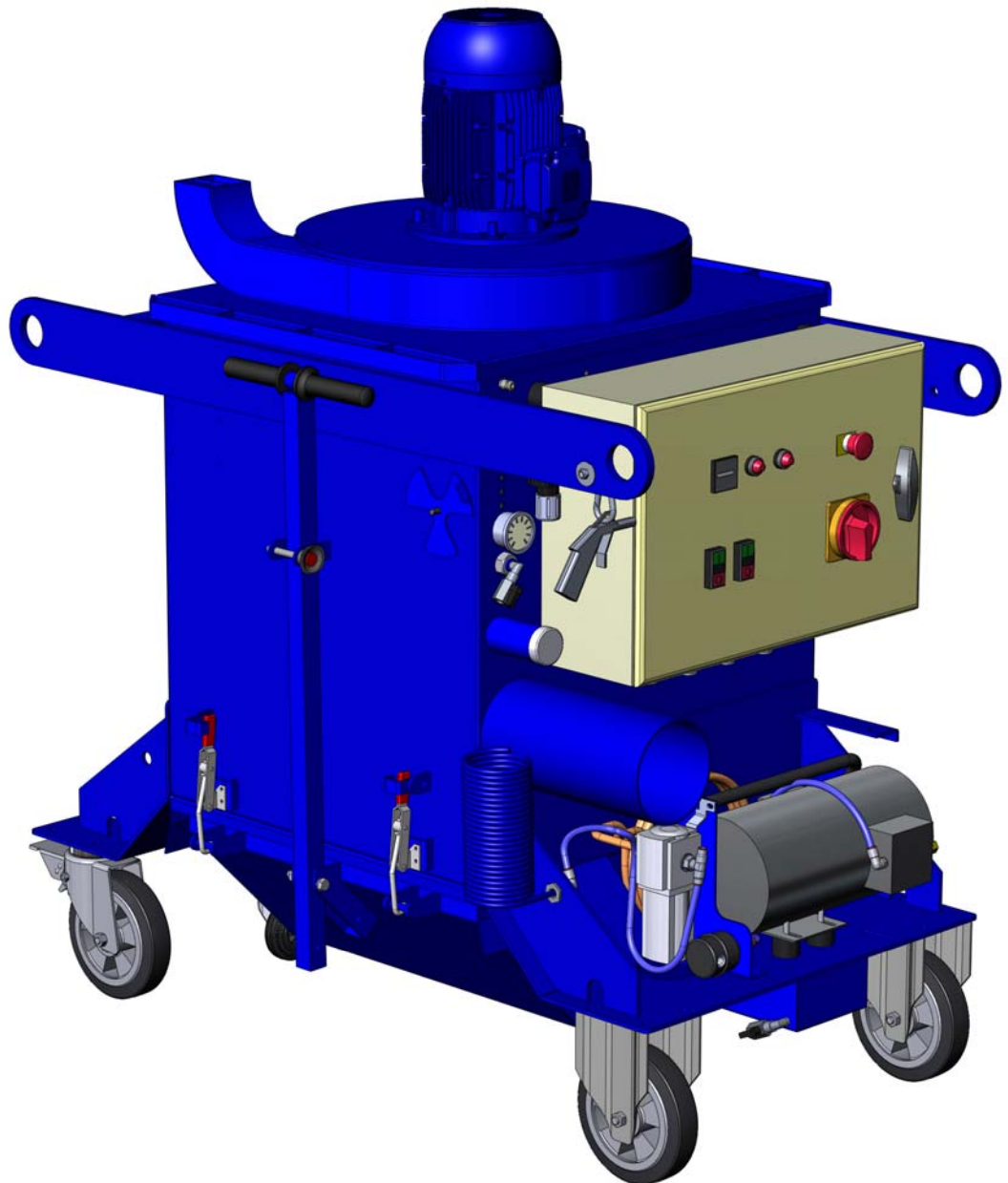




BDC-654

Version 1.1



EC DECLARATION OF CONFORMITY

in accordance with Appendix II sub A of Directive 98/37/EC

BLASTRAC B.V.

Utrechthaven 12
NL - 3433 PN NIEUWEGEIN
Tel: 0031 (0)30 601 88 66
Fax: 0031 (0)30 601 83 33
Info@Blastrac.nl
The Netherlands

Declare under our sole responsibility that the machine as described below
Conforms with the Health and Safety requirements of the European Directive
of the machine Safety.

In case of changes to the machine without our written authorization this declaration loses
its validity.

Model: *BLASTRAC BDC-654* **Serial number:**

1. satisfies the conditions set out in the Machine Directive (Directive 98/37/EC); Low voltage directive (73/23/CEE, as last amended; EMC directive 89/336/CEE, as last amended)
2. satisfies the following harmonized standards:
NEN-EN 349, NEN-EN 418, NEN-EN 294 and NEN-EN 60204

Nieuwegein



Michiel Kalisvaart



Index

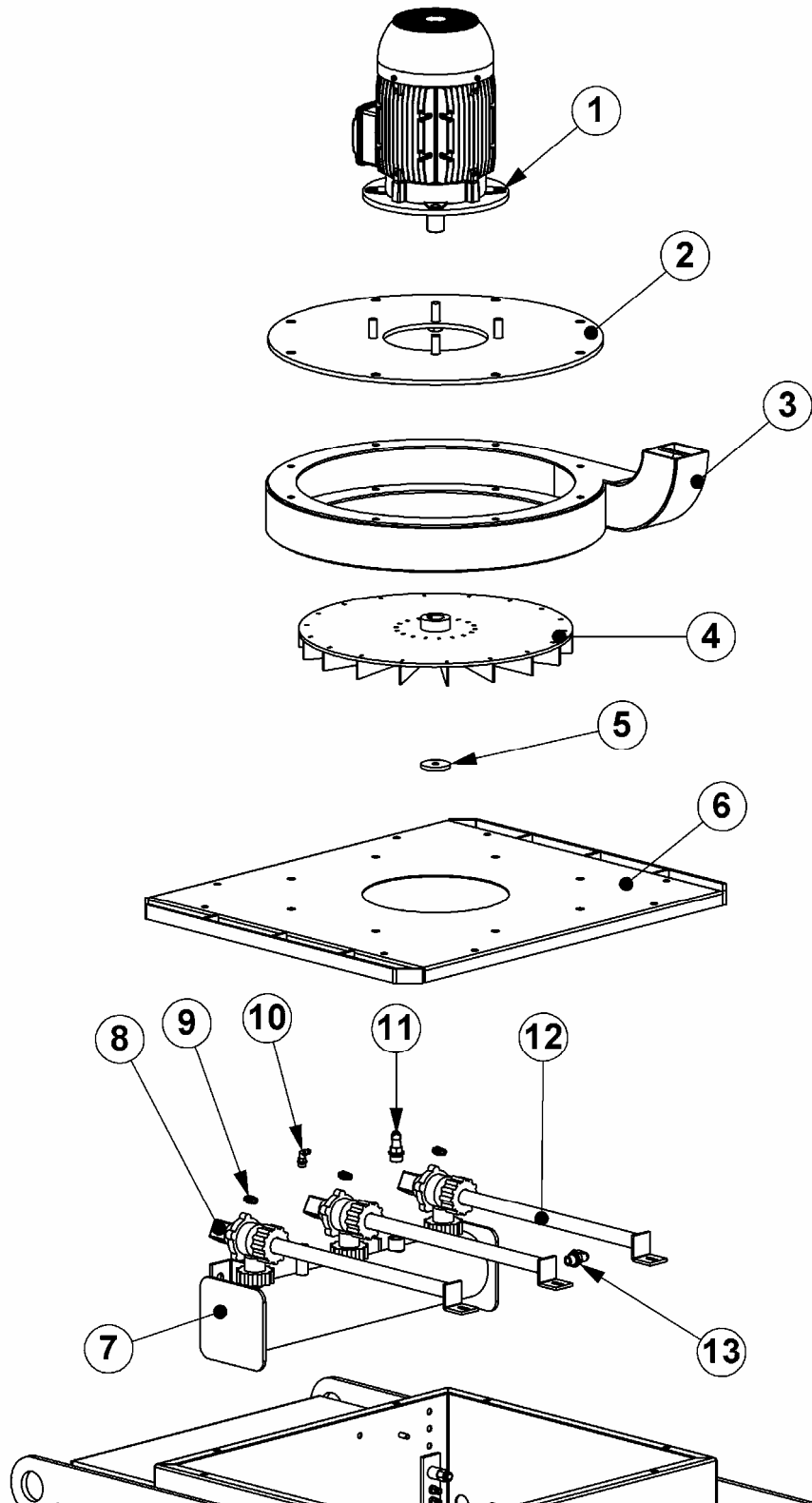
1. Spare parts 04

2. Electrical diagrams

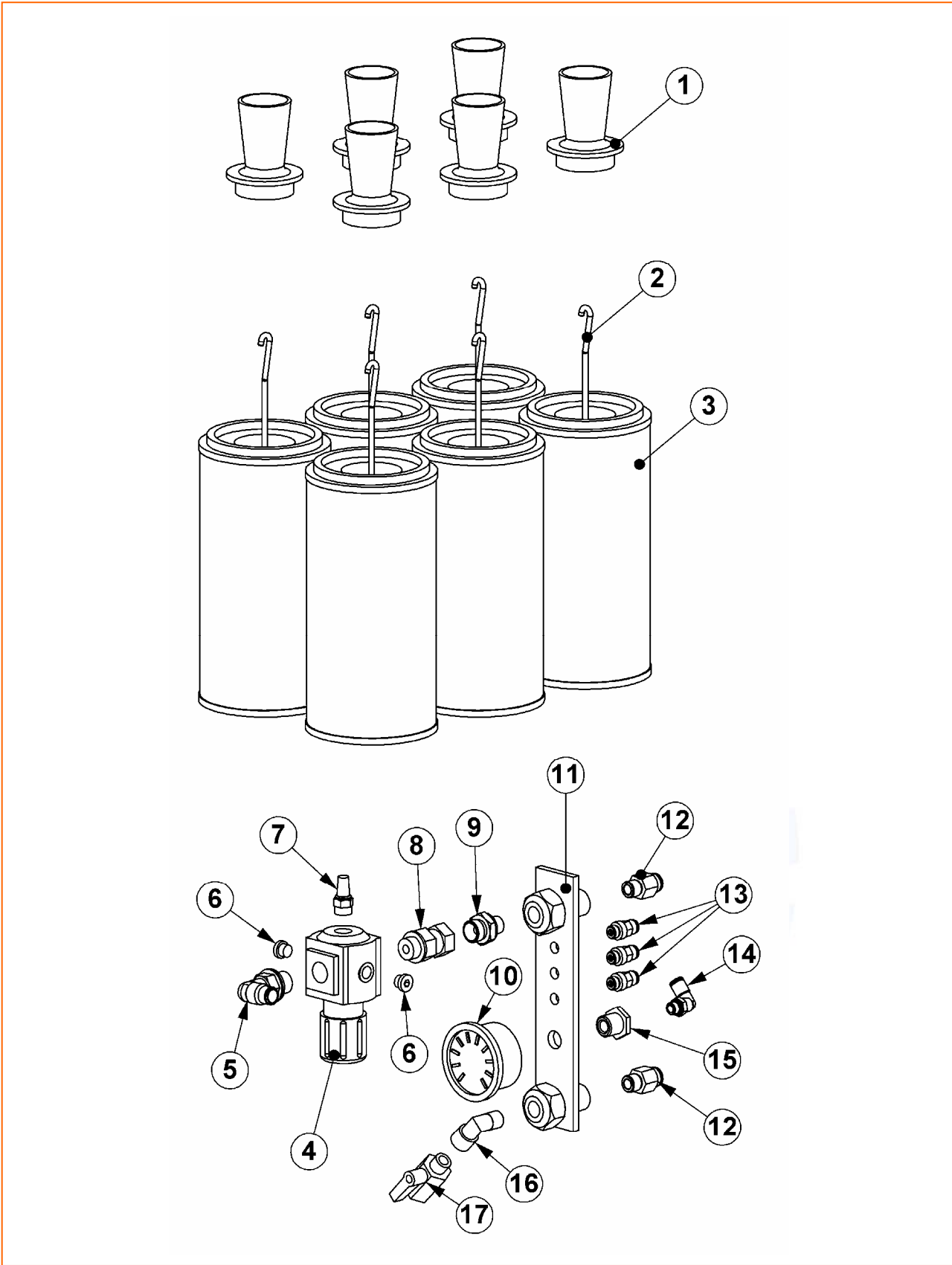
Contact



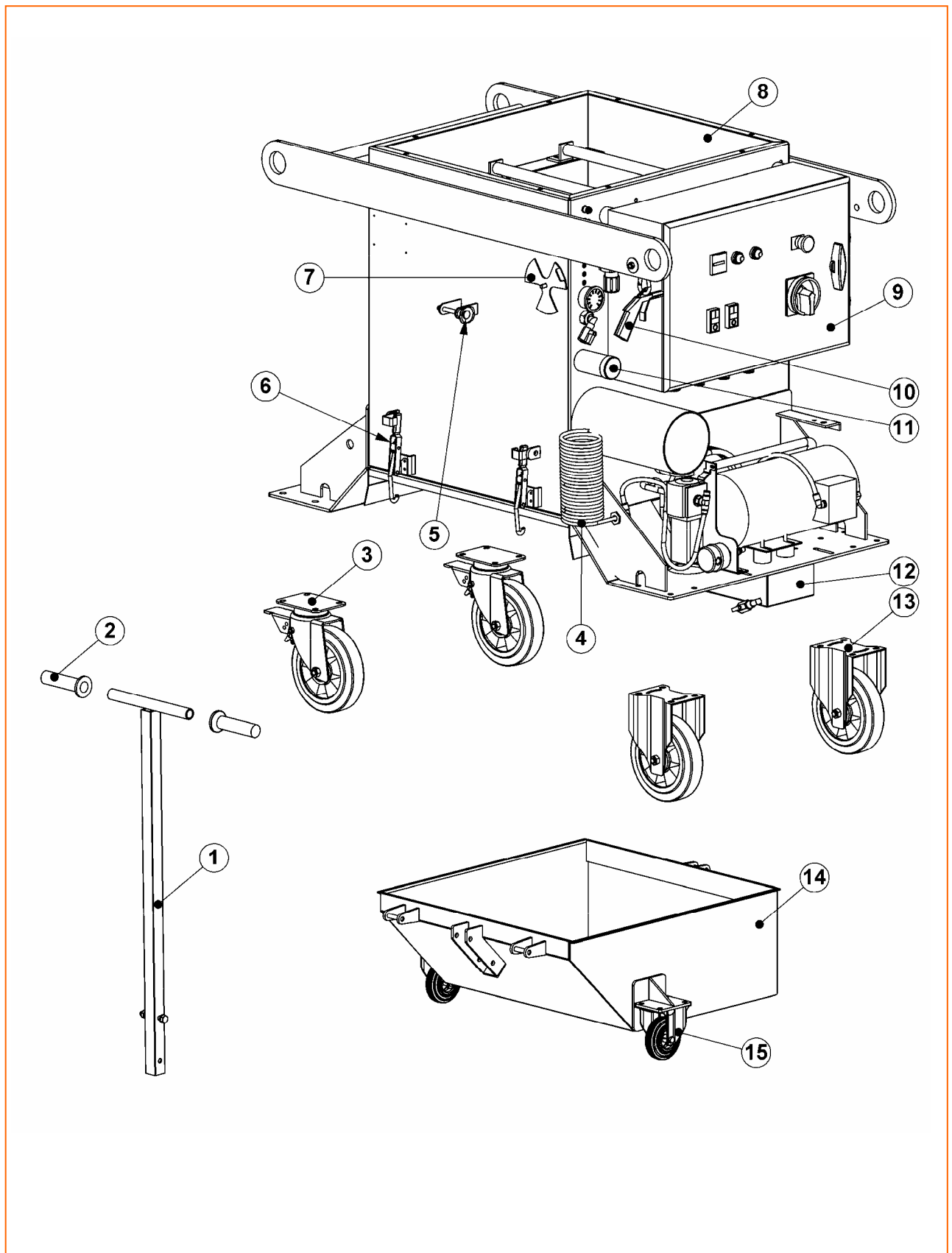
1. Spare parts



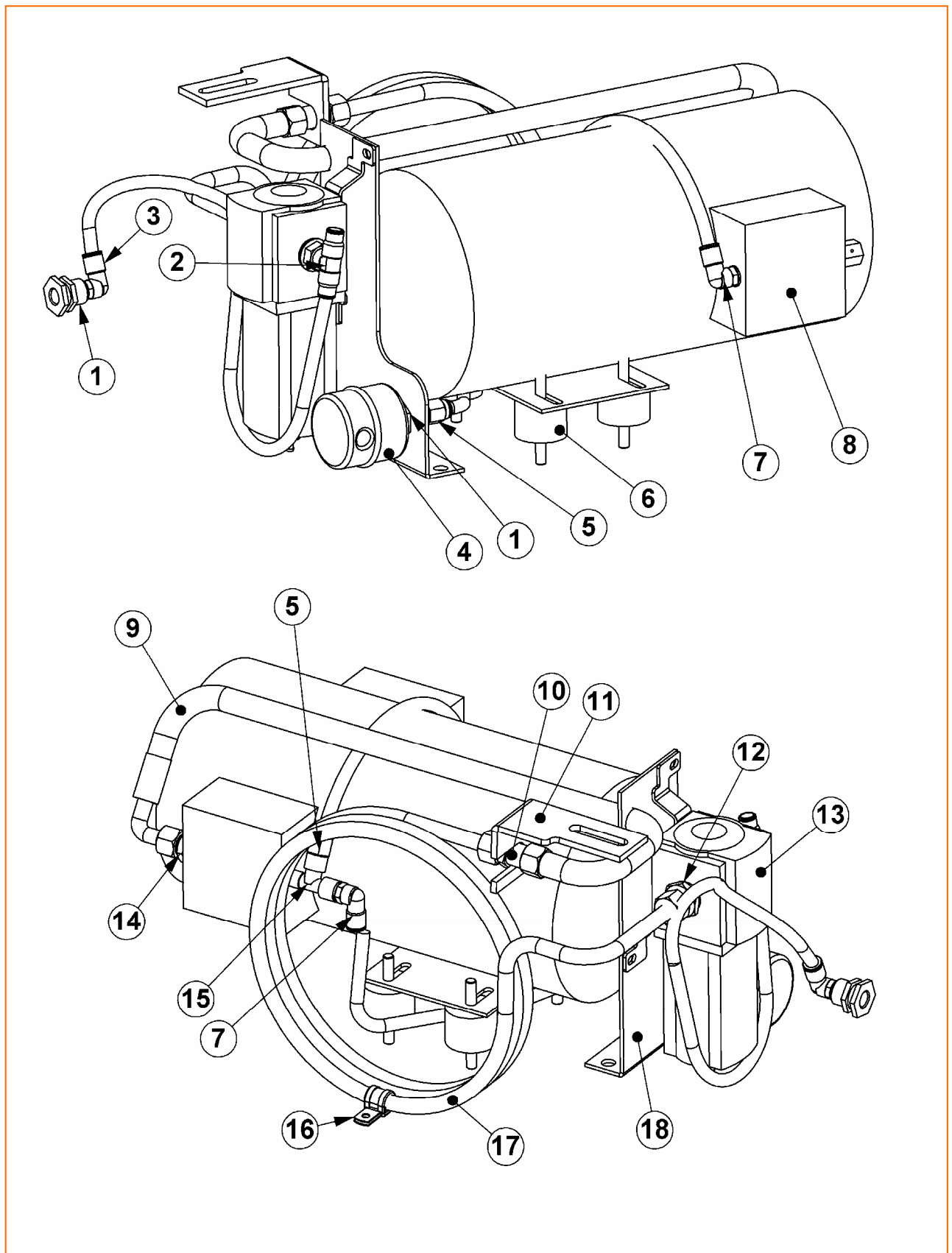
Item	Part number	Description	Remarks	Qty.
1	E06383	Fan motor		1
2	6854010_4	Motor plate		1
3	6854010	Fan housing		1
4	E06877	Fan		1
5	E03195	Ring for fan		1
6	676064	Cover plate		1
7	676550	Air tank		1
8	E01300	Air valve 24V AC		3
9	E00669	Hose conn.straight 6x1/8"mbsp		3
10	E00672	Adaptor knee 6x1/4		1
11	B20057	Adapter knee 10x1/2"		1
12	E06873	Pulse tube		3
13	E04620	Adaptor knee 10x3/8"		1



Item	Part number	Description	Remarks	Qty.
1	001403	Venturi		6
2	739605	Cartridge hook		6
3	490803-1	Cartridge filter		6
4	E06948	Pressure valve		1
5	E04620	ADAPTOR KNEE 10x3/8"		1
6	E06968	Plug 1/8"		2
7	E00034	Dust excluder 1/4" mbsp		1
8	E06970	Adapter female swivel 3/8" x 3/8" male		1
9	E06972	Adapter male 1/4" BSP x male 3/8" binnenconus		1
10	E10349	Panel mount manometer		1
11	E06884	Air connection plate		1
12	E00674	Hose conn.straight 10x1/4" mbsp		2
13	E00669	Hose conn.straight 6x1/8" mbsp		3
14	E00670	Knee adaptor swivel 6x1/8" mbsp		1
15	E00668	Feed through nipple 1/8" fbsp x M16x1.5		1
16	E03197	KNEE 1/4" MBSPT x 1/4" FBSP		1
17	E14003	Mini ball valve 1/4" m/f bsp		1



Item	Part number	Description	Remarks	Qty.
1	4900970	Handle		1
2	453290	Handle grip		2
3	E06875	Castor wheel		2
4	DA—9290.2	Air hose spiral		1
5	E06934	Quick release pin		1
6	483551	Toggle clamp		1
7	677849	Adamant plate		1
8	6760660	Filter house		1
9	E06901	Electrobox BDC645 400V 50Hz		1
	E06901/UL230	Electrobox dual voltage UL		1
10	DA—9290.1	Air pistol		1
11	E01912 / E01913 / E01914	PVC shrinking sleeve 50mm / Rubber seal set for PVC shrinking sleeve 50mm./ PVC end cover 50mm.		1
12	E06932	Drain box		1
13	E06876	Wheel		2
14	505-0006	Dust hopper		1
15	E06887	Wheel		2



Item	Part number	Description	Remarks	Qty.
1	E03158	PANEL MOUNT.CONN. 1/4x M20		2
2	E03159	ADAPTOR TEE 10x1/2		1
3	E06923	Adaptor knee 10mm x 1/4" mbsp, swivel		1
4	E06935	Filter		1
	E06935-1	Filter element		1
5	E00674	Hose conn.straight 10x1/4"mbsp		2
6	999-9107	Shock absorber		4
7	E06923	Adaptor knee 10mm x 1/4" mbsp, swivel		2
8	E06933	Compressor		1
9	E06925	Hydraulic hose M18x1.5 female x 3/8" BSP female / knee 90° L=1000		1
10	E06974	Panel moun conn, straight M18x1.5 Ø12		1
11	E06976	Bracket hydraulic hose		1
12	E06973	Male stud coupling 1/2" BSP x Ø12		1
13	E00635	Water separator		
	E00635-1	Filter element		
14	E06972	Adapter male 1/4" BSP x male 3/8"binnenconus		1
15	E03215	T-nipple F-F-M 1/4"		1
16		Cable clamp Ø12		1
17	E06928	Cooling spiral		1
18	E06971	Mounting plate water separator		1

Headquarter

*Blastrac BV The Netherlands
Utrechthaven 12
NL - 3433 PN Nieuwegein
Tel: 0031 (0)30 601 88 66
Fax: 0031 (0)30 601 83 33
info@blastrac.nl*

*Blastrac United Kingdom
Unit 2, Outgang Lane, Dinnington
Sheffield, South Yorkshire
GB – S25 3QU, England
Tel: 0044 (0) 1909 569 118
Fax: 0044 (0) 1909 567 570
info@blastrac.co.uk*

*Blastrac France
ZI
29, Avenue des Temps Modernes
F – 86360 Chasseneuil du Poitou
Tel: 0033 (0)5 49 00 49 20
Fax: 0033 (0)5 49 00 49 21
info@blastrac.fr*

*Blastrac Spain
Calle Copernico, 16
Nave 2
E – 28820 Coslada
Tel: 0034 91 660 10 65
Fax: 0034 91 672 72 11
info@blastrac.com.es*

*Blastrac Germany
Mathias Brügggen Straße 144
D – 50829 Köln (Ossendorf)
Tel: 0049 (0) 221 70 90 32 0
Fax: 0049 (0) 221 70 90 32 22
info@blastrac.de*

*Blastrac Poland
Golina, Dworcowa 47a
63-200 Jarocin
Tel: 0048 62 740 40 27
Fax: 0048 62 740 40 27
info@blastrac.pl*

